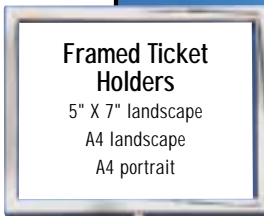
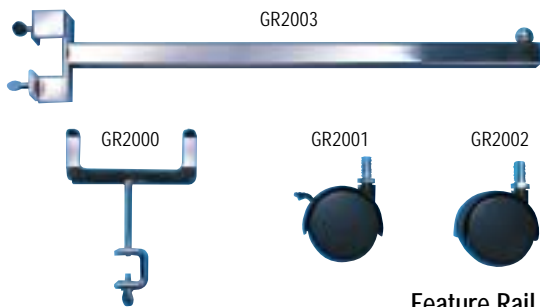


# feature display rails & accessories



## Feature Rail Accessories

- GR2003 Additional Clamp on Lower Arm **£3.75** each
- GR2000 Clamp on Ticket Holder **£3.50** each
- GR2001 Locking Twin Wheel Castor **£1.25** each
- GR2002 Twin Wheel Castor **£1.00** each

## Framed Ticket Holders (above right)

- GR2008 Clamp on adaptor, to fit 20mm square tube (Feature Rail Arm) **£2.50** each
- 135A 5" x 7" Landscape Framed Ticket Holder Chrome **£5.50** each
- 135L A4 Landscape Framed Ticket Holder Chrome **£7.00** each
- 135P A4 Portrait Framed Ticket Holder Chrome **£7.00** each

All new 4 Way Feature Rails have the facility to take a Telescopic Sign Holder or Display Form



## Ticket Holders to fit latest 4 way Feature Rails

- GR2005 Ticket Holder 5" x 7" landscape with 750mm (30") long rod **£8.00** each
- GR2007P Ticket Holder A4 portrait with 750mm (30") long rod **£9.50** each
- GR2007L Ticket Holder A4 landscape with 750mm (30") long rod **£9.50** each



MB902 Juliet Bust with GR2009 Rod and MB903 Adapter.

Create eye-catching displays



## Display Forms

Create eye-catching displays with these stylish display forms. Versatile display heads for eyewear, hats and scarves. High density polymer, granite finish.

- MB901 Romeo Display Form **£30.00** each
  - MB902 Juliet Display Form **£30.00** each
  - HT30 Male Display Head **£13.50** each
  - HT31 Female Display Head **£13.50** each
- All require 750mm (30") rod and adaptor to fit rail.  
GR2009 Rod & MB903 Adapter **£7.50** each



Only **£58.00**

Example of a GR1000 4 Way Straight Arm Feature Rail with four additional clamp on lower arms. Ideal for handbags, accessories etc. an adaptable cost effective merchandising unit.

Example shown **£58.00** complete

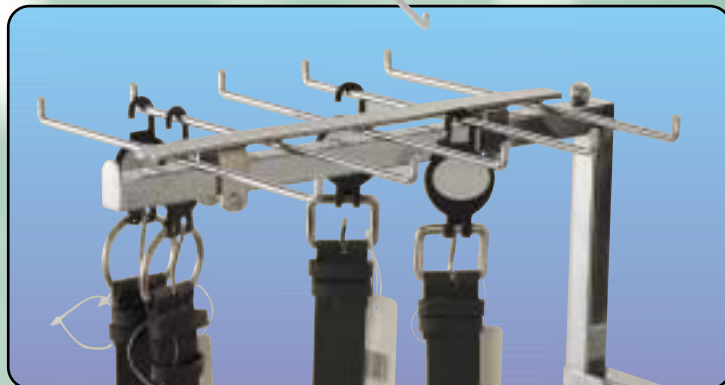
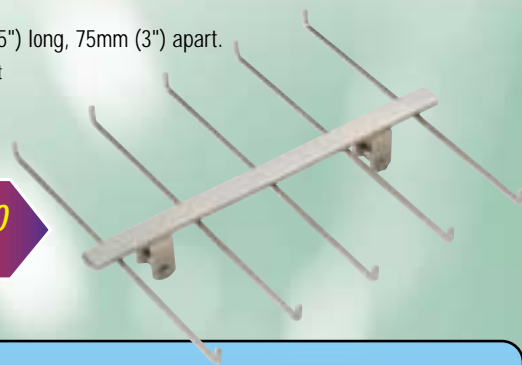
## add-on tie/belt unit

Add-on tie/belt unit fits GR1020 two way and GR1000 four way straight arm rails.

10 arms each 130mm (5") long, 75mm (3") apart.

- GR2010 Add-on Tie/Belt Unit **£8.00** each

**£8.00**



ROBERT MAY

TEL: 020 7272 5225  
FAX: 020 7272 4313  
sales@robertmay.co.uk